



Warwick Hanger Company

34 CANAL STREET WESTERLY, RI 02891
 PHONE 401-596-8062 FAX 401-596-8063
 www.WarwickHanger.com

Hang It Faster!!!®

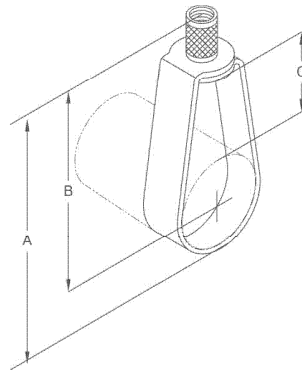
Em-Lok Hanger Copper Plated

Size Range — 1/2" thru 6" copper tubing

Material — Carbon Steel

Function — Recommended for the suspension of noninsulated stationary copper tubing.

Finish — Copper Plated



Dimensions • Weights

Pipe Size	Rod Size Rod Size	A	B	C	Max. Rec. Load Lbs.	Approx. Wt./100
1/2	3/8	3 1/8	2 3/4	1 1/2	400	11
3/4	3/8	3 1/8	2 5/8	1 1/4	400	11
1	3/8	3 1/8	2 1/2	1	400	12
1 1/4	3/8	3 1/4	2 1/2	1	400	13
1 1/2	3/8	3 7/8	3	1 1/4	400	14
2	3/8	4 1/2	3 3/8	1 1/2	400	15
2 1/2	3/8*	5 1/2	4 3/8	2	600	40
3	1/2	6 3/8	4 3/4	2	600	45
3 1/2	1/2	6 3/8	4 1/2	1 1/2	600	52
4	1/2*	7 3/8	5 1/4	2	1250	59
5	5/8	8 3/8	5 3/4	2	1250	97
6	5/8	9 1/2	6 3/8	1 1/8	1250	139