

Hang It Faster!!!®

Warwick Hanger Company

34 CANAL STREET WESTERLY, RI 02891
 PHONE 401-596-8062 FAX 401-596-8063
 www.WarwickHanger.com

Em-Lok Hanger

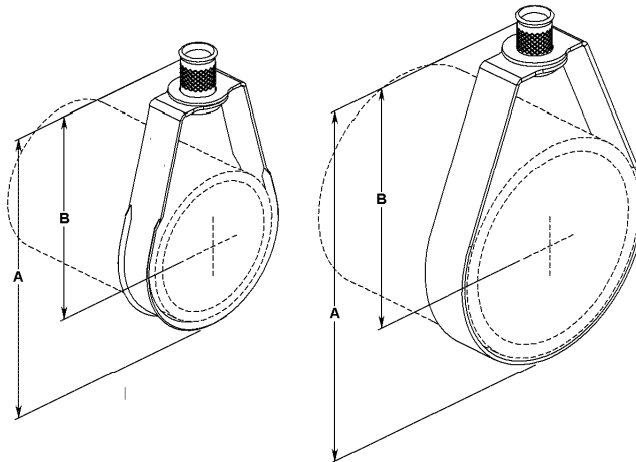
Size Range — 1/2" thru 8" pipe

Material — Carbon Steel, Mil. Galvanized

Function — For fire sprinkler and other general piping purposes. Knurled swivel nut design permits hanger adjustment after installation.

Features —

- (1/2" thru 2") Flared edges ease installation for all pipe types and protect CPVC plastic pipe from abrasion. Captured design keeps adjusting nut from separating with hanger. Hanger is easily installed around pipe.
- (2½" thru 8") Spring tension on nut holds it securely in hanger before installation. Adjusting nut is easily removed.



Maximum Temperature — 650°F

Approvals: Complies with Federal Specification WW-H-171E & A-A-1192A Type 10 and Manufactures Standardization Society MSS SP-58 & SP-69 Type 10.

Dimensions • Weights						
Pipe Size	Rod Size		A	B	Max. Rec. Load Lbs.	Approx. Wt./100
	Inch	Metric				
1/2	3/8	8mm or 10mm	3½	2¾	300	11
3/4	3/8	8mm or 10mm	3½	2½	300	11
1	3/8	8mm or 10mm	3¾	2¾	300	12
1¼	3/8	8mm or 10mm	3¾	2¾	300	13
1½	3/8	8mm or 10mm	3¾	2¾	300	14
2	3/8	8mm or 10mm	4½	3	300	15
2½	3/8	10mm	5½	4½	550	27
3	3/8	10mm	5¾	4	600	29
3½	3/8	10mm	7¾	5¼	600	34
4	3/8	10mm	7¾	5	650	35
5	1/2	12mm	9½	6¼	1000	66
6	1/2	12mm	10½	6¾	1000	73
8	1/2	12mm	13½	8¾	1000	136