



Hang It Faster!!!®

Warwick Hanger Company

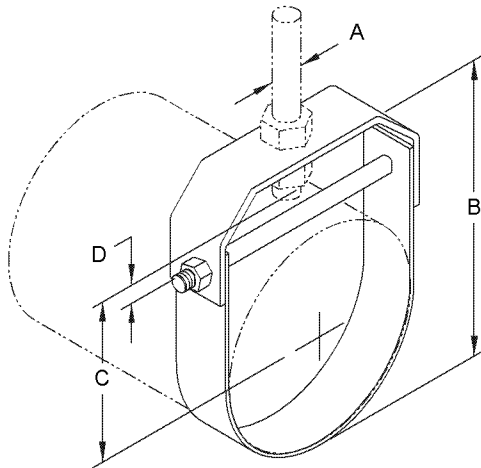
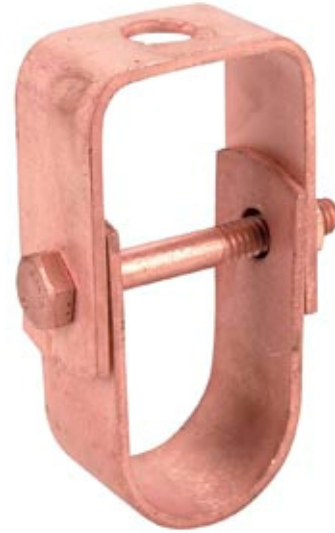
34 CANAL STREET WESTERLY, RI 02891
 PHONE 401-596-8062 FAX 401-596-8063
 www.WarwickHanger.com

Clevis Hanger Copper Coated

Size Range — Size 1/2" thru 12"

Material — Carbon Steel

Function — Recommended for the suspension of non-insulated stationary copper tubing line.



Dimensions • Weights

Copper Tube Size	A	B	C	D	Max. Rec. Load Lbs.	Approx. Wt./100
1/2	3/8	2 5/8	1 11/16	5/8	150	27
3/4	3/8	2 5/8	1 11/16	5/8	250	29
1	3/8	2 7/8	1 9/16	3/4	250	32
1 1/4	3/8	3	1 7/8	13/16	250	34
1 1/2	3/8	3 5/8	2 5/16	1 1/16	250	36
2	3/8	4 1/2	3	1 5/8	250	44
2 1/2	1/2	6	3 1/4	2 1/8	350	96
3	1/2	6 1/8	3 7/8	2	350	105
3 1/2	1/2	6 5/8	4 1/4	1 13/16	350	110
4	1/2	7 1/16	4 9/8	1 9/16	400	151
5	1/2	8 1/2	5 5/16	1 7/8	550	220
6	5/8	9 3/4	5 9/16	1 11/16	550	265

Please call for information on 8", 10" and 12"