



Warwick Hanger Company

34 CANAL STREET WESTERLY, RI 02891
 PHONE 401-596-8062 FAX 401-596-8063
 www.WarwickHanger.com

Hang It Faster!!!®

Steel "C" Clamp with Locknut

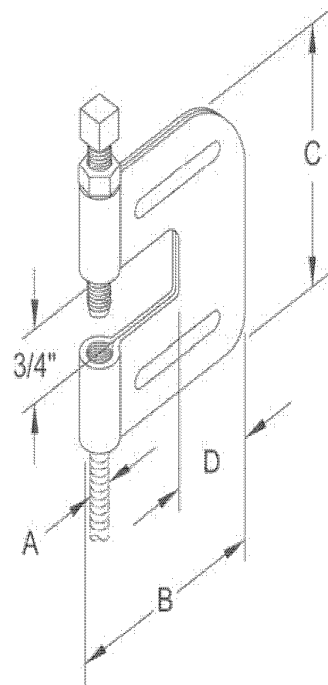
Size Range —

Material — Carbon Steel

Function — For attachment to I-beams, channels, and wide flange beams where the thickness does not exceed 3/4".
 Hardened set screw secures "C" Clamp to beam.

Finish — Plain

Approvals: Complies with Federal Specification WW-H-171E & A-A-1192A Type 23 and Manufacturers Standardization Society MSS SP-58 & SP-69 Type 23.



Dimensions • Weights

Max. Pipe Size	Rod Size A	B	C	D	Max. Rec. Load Lbs.	Approx. Wt./100
2	3/8	2 3/8	2 3/8	1	400	40
3 1/2	1/2	2 3/8	2 3/8	1	400	50
5	5/8	2 3/8	2 3/8	1	550	70
6	3/4	2 5/16	2 3/8	1	630	83