

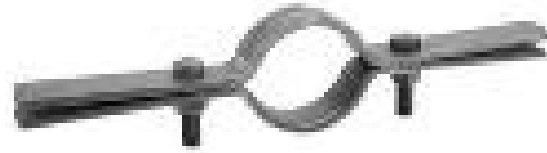


Warwick Hanger Company

34 CANAL STREET WESTERLY, RI 02891
 PHONE 401-596-8062 FAX 401-596-8063
 www.WarwickHanger.com

Hang It Faster!!!®

Riser Clamp



Size Range 1/2" thru 12"

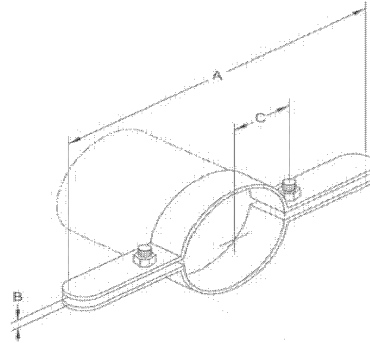
Material — Carbon Steel

Function — Used for supporting vertical piping.

Finish — Plain

Maximum Temperature — 650°F

Approvals: Complies with Federal Specification WW-H-171E & A-A-1192A Type 8 and Manufacturers Standardization Society MSS SP-58 & SP-69 Type 8.



Dimensions • Weights

Pipe Size	A	B	C	Bolt Size	Max. Rec. Load Lbs.	Approx. Wt./100
1/2	9¼	1/2	1⅛	3/8	255	144
3/4	9¼	1/2	1⅛	3/8	255	144
1	9⅝	1/2	1¼	3/8	255	147
1¼	9⅞	1/2	1⅝	3/8	255	150
1½	10⅜	1/2	1½	3/8	255	153
2	10¾	1/2	2	3/8	255	165
2½	11	5/8	2¼	3/8	390	228
3	12	5/8	3	3/8	530	246
3½	13	5/8	3¼	1/2	670	264
4	13½	3/4	3⅝	1/2	810	347
5	14½	3/4	4⅝	1/2	1160	385
6	15⅝	7/8	4⅞	1/2	1570	564
8	18½	1	5¾	5/8	2500	1017
10	20¼	1	7¼	5/8	2500	1138
12	22¾	1	8¼	5/8	2700	1759